



Galco Customer Service can be reached
Toll Free at 800-874-2526
or by Email at:
customerservice@galcoholsters.com

Visit galcousa.com/videos to view
related safety videos.



Used to address practices unrelated to
potential personal injury.

NOTICE

Indicates a hazardous situation which, if not avoided, will
result in minor or moderate injury.

CAUTION

Indicates a hazardous situation which, if not avoided, will
result in death or serious injury.

WARNING

Indicates a hazardous situation which, if not avoided, will
result in death or serious injury.

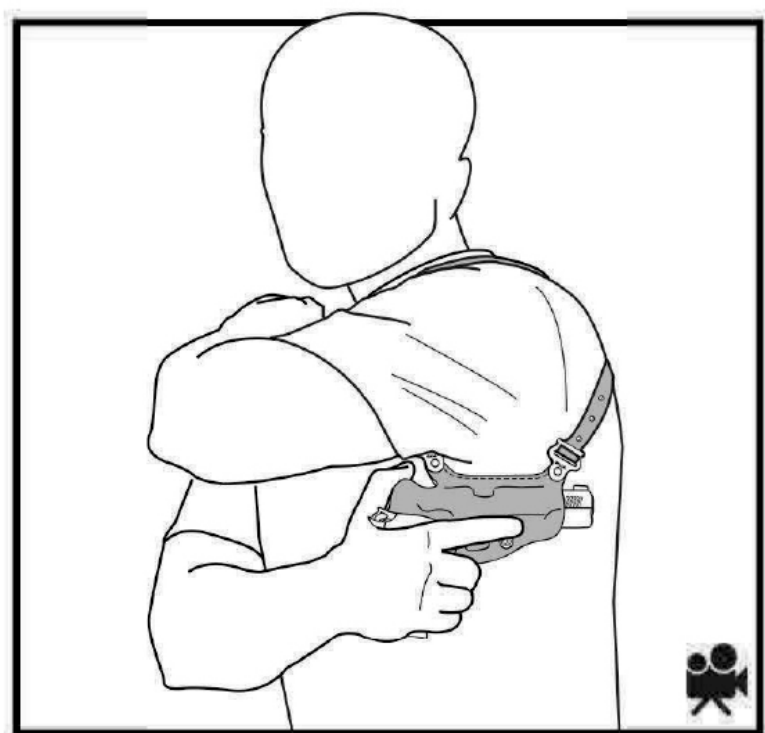
DANGER

SAFETY SYMBOL DEFINITIONS

GALCO®

HOLSTERS

PRODUCT INFORMATION GUIDE HORIZONTAL SHOULDER HOLSTER SYSTEM



galcoholsters.com



LARGER
PRINT



ASSEMBLY
VIDEO

IMPORTANT SAFETY WARNINGS AND INSTRUCTIONS READ PRIOR TO USING GALCO PRODUCTS

⚠ DANGER

Firearms users must understand and
obey the Rules of Firearm Safety:

1. Treat all firearms as if they are always loaded.
2. Never point a firearm at anything you aren't willing to shoot.
3. Keep your finger off the trigger until you intend to shoot.
4. Be sure of your target and what is behind/beyond it.

Read and understand all owner's manuals, instructions, and guides prepared by the manufacturer of your firearm prior to use.

If you have any questions about correct fit, contact Galco Customer Service at **800-874-2526** or customerservice@galcoholsters.com. You may also visit us at galcoholsters.com where you can use our online fitting guide.

⚠ WARNING Carrying a firearm with an ill-fitting or improper holster can result in serious injury or death. The purchase and use of a Galco holster is at the sole and exclusive risk of the user.

READ AND UNDERSTAND THIS ENTIRE GUIDE PRIOR TO USING THIS PRODUCT

Firearms are inherently dangerous. Improper or careless use of a firearm or firearm and holster may result in serious injury or death. It is the user's responsibility to possess a thorough knowledge of, and be properly trained in, all aspects of firearm use, including holster use and safety.

Carry the firearm in the safe condition recommended by its manufacturer. This information will be contained in the product information manual provided by the firearm manufacturer. If you do not have the manual applicable to the firearm, contact the firearm's manufacturer.

It is the user's responsibility to maintain the holster by regularly checking component parts for excessive wear and proper function.

⚠ WARNING Failure to heed these warnings or follow the operating instructions may result in negligent discharge of a firearm, causing serious injury or death.

⚠ WARNING Do not in any way modify, disassemble or remove any part from this holster, except as approved and recommended in Galco's Product Information Guide.

Always place your hand on the firearm when you are performing other physically vigorous activities.

Checking tension units each time the holster is used is required as part of your regular safety inspection. Applying a small amount of clear nail polish to the threads of the tension units, after proper adjustment, will help minimize screw loosening.

⚠ WARNING Tension units are not pre-set at the factory. If a holster has tension units, it is the user's responsibility to ensure they are adjusted to retain the firearm.

⚠ CAUTION Always protect an exposed magazine release from accidental activation.

⚠ WARNING When drawing a firearm or engaging it with the holster, DO NOT place your finger on the trigger, in the trigger guard, or near the trigger. Position your finger along the frame of the firearm above the trigger guard. Keep your finger off the trigger until your sights are on target.

⚠ WARNING If the firearm is not properly secured by means of friction from the holsters molding or of the retention device(s), it could become dislodged, causing injury and possibly death to the user and others.

⚠ WARNING A firearm (whether in or out of a holster) may discharge if it falls to the ground or onto another object, causing death or serious injury. Holsters are not designed or intended to prevent firearms from discharging when dropped.

⚠ WARNING A holster is not a replacement for a safe. Firearms should be secured in a locked safe when not in use. Firearms should not be stored in holsters for long periods, even when in a safe. The holster may trap moisture against the firearm and promote corrosion.

⚠ WARNING A significant number of negligent discharges - some resulting in injury or death - occur while holstering a firearm. Most are caused by the user's index finger pressing the trigger. Some are caused because a foreign object becomes entangled or trapped in the trigger guard/holster and presses the trigger. The safest practice is to "look the firearm into the holster". This should be done methodically and without rushing. While holstering, be fully cognizant that:

1. All safeties are engaged.
2. Your index finger is straight along the firearm's frame. DO NOT place your finger on the trigger, in the trigger guard, or near the trigger. Keep your finger off the trigger until your sights are on the target.
3. No articles of clothing (shirt tails, jacket drawstrings, etc.) become trapped in the trigger guard, holster, or between the firearm and holster.
4. Your shooting-hand thumb is placed over the hammer or the rear of the slide. This will enable you to feel if the hammer starts to move rearward or the slide begins to come out of battery.

5. You strictly observe Rule of Firearms Safety #2: never point a firearm at anything you aren't willing to shoot. If you do not know how to holster your firearm without breaking this rule, you should seek training before holstering your firearm while the holster is worn.

6. If for any reason you are unable to "look the firearm into the holster" and not muzzle yourself or others, you should remove the holster from your body, then "look the firearm into the holster" (without breaking Rule #2). After the firearm is securely seated in the holster, attach the holster to your body/clothing in the manner in which it was designed.

7. If you holster your firearm while the holster is off and in your hand, insure you do NOT point the firearm at your support hand. Do not place your support hand (or other body parts) at the bottom of the holster. The holster material is not bullet proof. Neither your support hand, other body parts, nor other people should be muzzled/flagged while holstering.

CARRY CONDITION OF THE FIREARM

⚠ WARNING Some single-action revolvers and some semi-automatic pistols must be carried with the hammer or firing pin resting on an empty chamber.

Carrying any firearm with a live cartridge in the chamber immediately in front of the firing pin may cause a negligent discharge. Information regarding the safe carry condition of your firearm will be contained in the product information manual provided by the firearm's manufacturer. If you are unsure of the safe carry condition(s) of your firearm, contact the firearm's manufacturer.

⚠ WARNING Never holster a firearm in the single-action mode, unless it is a semi-automatic pistol and holster designed and intended for "cocked and locked" or "Condition One" carry. Always ensure that a single-action pistol carried in "Condition One" has the manual safety engaged when carrying in a holster.

⚠ WARNING Do not use customized, modified, worn or broken firearms, or those otherwise outside the original manufacturer's specifications, with a Galco holster.

⚠ WARNING Do not place a loaded firearm in a holster without first testing - with a firearm double-checked and verified to be unloaded - for proper firearm fit.

⚠ CAUTION Do not attempt to cock a holstered firearm as this may damage the firearm, the holster, or both and may contribute to a negligent discharge.

IF ANY DOUBT EXISTS AS TO THE SERVICEABILITY OR SAFETY OF A GALCO PRODUCT, IMMEDIATELY CEASE USING IT!

If you have questions, contact: Galco Customer
Service at **800-874-2526** or
customerservice@galcoholsters.com

Galco has made every effort to properly label all holsters for the specific firearms they fit. However, firearm manufacturers often make changes to their firearms that affect holster fit.

Galco will not be responsible for such changes, nor for typographical or other human errors that may occur. It is the user's responsibility to ensure proper holster fit with actual firearms.

It is important to understand that all products, including firearms, holsters and slings may eventually "wear out" or become unsuitable for the function for which they were designed. Stress and strain placed on a product will vary according to frequency and conditions of use, and therefore it is difficult to indicate a recommended replacement date for this product.

⚠ WARNING Galco holsters are approved for use with multiple firearms. Care must always be taken to ensure your holster is an appropriate and approved fit for your firearm.

REPAIRS

Great care was taken to select the finest materials available to craft your Galco product. It was designed in accordance with the highest engineering standards and hand made using traditional leather craft practices that have become Galco hallmarks over five decades. In the unlikely event a repair is necessary to an unaltered Galco product, simply contact our Customer Service department at **800-874-2526** or customerservice@galcoholsters.com. We will issue you a Return Authorization (RA) number to print on the outside of your shipping container and provide you with detailed shipping instructions.

INSPECTIONS + MAINTENANCE, ADDITIONAL USER RESPONSIBILITIES

⚠ WARNING It is the user's responsibility to ensure that the Galco product remains serviceable and safe, and able to continue service within its design intent.

NOTICE It is the user's responsibility to inspect the holster before and after each use for signs of excessive wear or loss of retention capability, and appropriate tightness of all hardware.

DO

NOTICE Ensure that all screws are tightened snugly. Applying a small amount of clear nail polish to the threads will minimize screw back out. Ensure that the holster provides secure gun retention in all circumstances.

Clean as needed progressively by wiping with a soft cloth, soft bristle brush, soft damp cloth, soft damp cloth with mild soap to remove stubborn grime. Do not saturate with water and do not run under the tap.

DON'T

⚠ WARNING Do not use a loaded firearm in a holster without first testing - with a firearm double-checked and verified to be unloaded - for proper firearm fit.

NOTICE Do not put Galco synthetic or leather products in the washing machine. Do not use any solvents or corrosive chemicals on this product.

Do not use oils such as Neats Foot or Mink oil, as they will saturate and soften the leather too much.

Do not use artificial heat to speed up the drying process, i.e. from a hair-dryer, oven, radiator, direct sunlight, etc. Do not leave Galco products on the dashboard of your car in summertime. Do not leave Galco products exposed to direct sunlight or excessive heat for long periods of time.

Do not use Loctite® or threadlock. Outgassing from these adhesive compounds will adversely affect plastic, nylon and rubber parts.

The above care and maintenance instructions cannot substitute for your good common sense. Following our recommended care and maintenance tips will allow you to get the maximum service life from all of your Galco products.

TERMS OF SALE

Because we have no control over the use of our products, all Galco products are sold as is and "with all faults". The entire risk as to the quality and performance of the product is with the buyer. Should the product prove defective following its purchase, the buyer and not the manufacturer, distributor, or retailer assumes the entire risk of all the necessary servicing or repairs. Under no circumstances shall Galco be liable for incidental or consequential damages, such as loss of use of property, commercial loss and loss of earnings or profits. The implied warranties of merchantability and fitness for a particular purpose and all other warranties, expressed or implied, are excluded from this transaction and shall not apply to the product sold. The determination of the fitness or the suitability of any product for a specific use is the responsibility of the buyer.

The illustrations shown herein are typical as to the finish and application. Due to uncontrollable variances in color saturation, the actual product may differ slightly from that shown on our web site. Galco reserves the right to make changes in product built and/or sold by them at any time without incurring any obligation to make same or similar changes on products previously manufactured and/or sold by them.

All Galco products are made in the U.S.A. and produced according to rigid specifications. Prices and models are subject to change without notice. Some states do not allow the exclusion or limitation of implied warranties or liability for incidental or consequential damages, so the above limitations and exclusions may not apply to you. Galco designs, features, and model names are the exclusive property of Galco International. Any and all persons including, but not limited to, individuals, firms and/or corporations are forbidden from imitating, copying

HOLSTER FIT WITH RED DOT OPTICS (MRDO)

Holster models designed to accommodate carry-style micro red dot optic (MRDO) sights are denoted by the "R" in the product code's suffix. For example, a Concealable 2.0 belt holster for the Glock 19 and compatible with an MRDO will be indicated by the product code CO2-226R. However, large-window and/or cantilevered competition-oriented optics, such as the Trijicon SRO, may not fit all Galco holsters. Note that, even though a large optic may fit in one Galco holster model, it may not work in another model.

PRODUCT IDENTIFICATION

Galco products are generally identified with a two-part code stamped into the holster body or label affixed to the item.

An alphabetical or alphanumeric prefix identifies the holster model. For example, the FLETCH model's prefix is FL while the Royal Guard's prefix is RG.

The numerical suffix identifies the particular firearm the holster is intended to fit. For example, the 212 suffix indicates a 5" 1911 while the 224 suffix indicates a Glock 17. The letter "B" or "H" at the end of the code indicates color. B is for black, H for Havana brown, while no letter generally indicates tan.

Thus, an FL212 (FL + 212 + no letter) will be a tan FLETCH to fit a 5" 1911, while an RG224B (RG + 224 + B) will be a black Royal Guard for a Glock 17.

Codes containing the letter 'R' in the suffix indicate that the holster accommodates most carry-style micro red dot optics (MRDO). For example, a tan Concealable 2.0 belt holster for the Glock 19 w/wo MRDO would be marked CO2-226R.

Holsters intended for Galco's modular shoulder systems display letters and numbers that correspond to guns. A Miami Classic holster intended for a SIG P320, for example, will simply read 820.

The numerical suffix of holsters intended for right-hand or ambidextrous use will end in an even number. The suffix of holsters intended for left-hand use will end in an odd number.

You may use the search field found at our website, galcoholsters.com, to locate a holster fit. Simply enter the model number on the item (FL224RB, for example) in the field.

THANK YOU FOR YOUR PURCHASE OF A GALCO PRODUCT!

Horizontal Shoulder Holster Systems
Covered in this Product Information Guide:

MIAMI CLASSIC II™ CLASSIC LITE™
JACKASS RIG™ OPTIC SOLUTION™
MASTERBILT MASTER AGENT™
MASTERBILT DUAL DEFENSE™
SLABSLIDE PERFECTION™

HOLSTER FIT / BREAK-IN ❀

Galco's full grain leather holsters are made of the finest materials and are precision molded to specific firearms. It may appear the holster fit is too tight at first, but this is by design. We engineer our holsters to fit tightly knowing the leather fibers will relax to the proper fit with use.

⚠ WARNING UNLOAD YOUR FIREARM
(magazine, chamber, cylinder) before testing holster fit.

Tension units are not pre-set at the factory. You may need to adjust them in order to holster your handgun or magazine for the first time. We recommend that you check your tension screw adjustments before each use. Do not use LocTite® on tension units. However, a single drop of clear nail polish applied to your tension screw threads may reduce its unwanted loosening.

If the fit is too tight when holstering your firearm the first time don't force it. If you do force the firearm into the holster, it may be very difficult to remove. Instead, follow these simple steps to break in your new holster using a process called blocking:

1. Place the unloaded firearm in a heavy duty Ziploc® type bag, or cover it in 2-3 layers of plastic kitchen wrap. Do not cover the grip.

2. Insert the bagged/wrapped firearm slowly into the holster, gently twisting it side-to-side to minimize tearing of the bag/wrap.

3. Once the firearm is completely seated in the holster, twist approximately 1/16" in both directions 6-12 times.

4. Allow the bagged/wrapped firearm to sit in the holster for approximately 15 minutes.

5. Remove the firearm from the holster and remove the bag/wrap from the firearm.

6. Insert the unloaded firearm into the holster, which should now be snug but not loose. If it still too tight, repeat the above steps until the holster is broken in to your satisfaction.

7. If necessary, repeat steps 1-6 with an additional heavy duty Ziploc type bag or additional 2-3 layers of plastic kitchen wrap.

NOTICE If your holster has a retention strap: You may need to stretch the retention strap using your fingers only (no tools, no water, no chemicals, etc.) before you get it to snap.

HOLSTER FIT / BREAK-IN (continued)

1. Place the unloaded firearm in the holster.

2. Hold the firearm grip in your strong hand and the retention strap in your support hand.

3. Prepare the strap for stretching by grasping the snap and pulling the strap taut (removing the slack).

4. Twist the strap 90 degrees back and forth in a clockwise and counterclockwise rotation 10-12 times while keeping it taut.

5. Firmly push the firearm away from you while pulling on the strap and continue rotating the strap.

6. Release the tension for a moment and repeat two or three times.

7. Pull the strap over the back of the firearm without releasing tension.

8. While maintaining the strong tension, attempt to snap the retention strap closed.

9. Repeat step 5 as needed.

Following and repeating the above instructions is the only way to an ideal break-in and long service life with proper fit that will last many years.

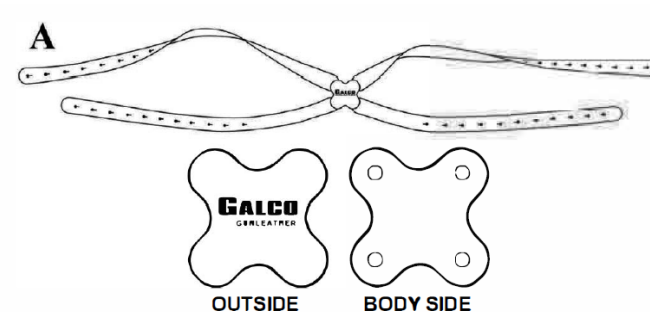
It is common for the inside of a leather holster to scratch from a single holstering (called etching). A smooth leather lined holster will be even more subject to this normal occurrence. After this initial etching, the holster will custom fit your firearm.

Some modern pistols have very sharp edges, particularly surrounding the ejection port. This may cause an initial feeling of "dragging" on the draw, but will normally resolve quickly with just a few draw-and-holster repetitions.

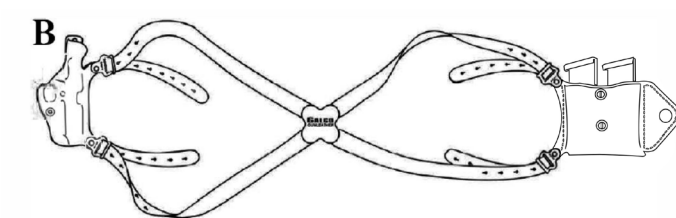
Try our Draw-Ez™ applied to the inside of your leather holster to shorten the break-in period and provide a slicker draw. Draw-Ez only treats the interior surface of the leather and will not be absorbed by the leather or harm the finish. Do not use Draw-Ez on Premium Centercut Steerhide™.

ASSEMBLY & ADJUSTMENT OF ALL HORIZONTAL SHOULDER SYSTEMS ❀

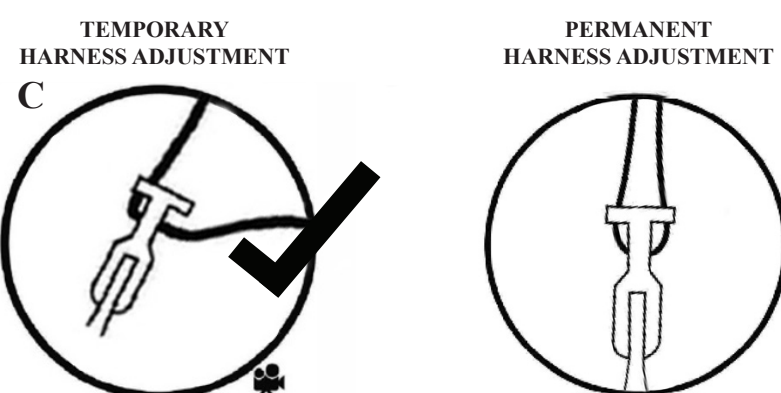
1. Lay the harness out in front of you so that the Galco logo reads left to right, with the rivet side down. The side of the Flexalon™ swivel plate with the four rivet crimps will be against your body when product is worn. See **Illustration A**.



2. See **Illustration B**. Connect the holster to the harness: a right-handed shooter wears the holster under the left arm. Pay special attention to how the harness laces through the keeper. Do not install harness fasteners yet.



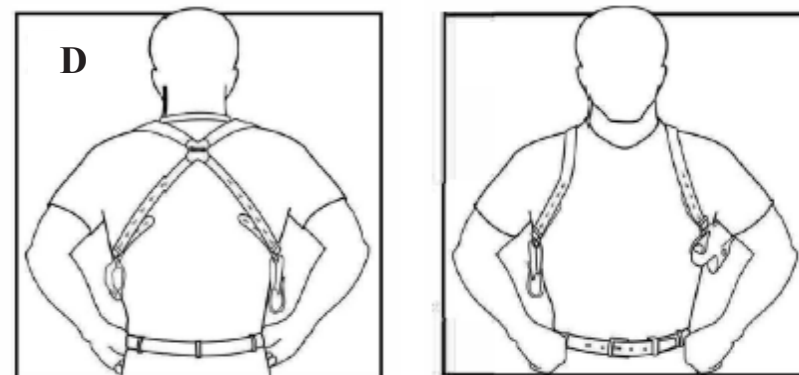
3. See **Illustration B**. Connect the ammo carrier to the harness; a right-handed shooter wears the ammo carrier under the right arm. Pay special attention to how the harness laces through the keeper. **PRO TIP - to make adjustment easier, only thread the harness through the top and center loops of the swivel keeper temporarily - (see Illustration C)**. Do not install harness fasteners yet.



⚠ WARNING Verify that your handgun is completely unloaded before proceeding.

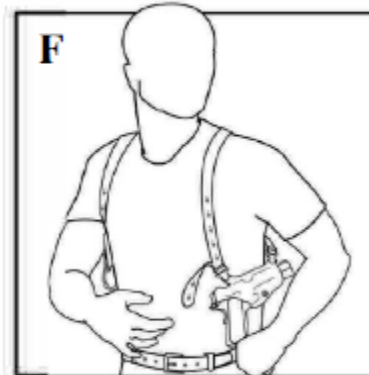
4. Insert the unloaded handgun and magazines/cartridges in their respective components.

5. See **Illustration D**. Put your shoulder system on like you would a coat or some prefer to put it on over their head like a t-shirt. The Flexalon swivel plate should be centered between your shoulder blades below the base of your neck.



ASSEMBLY & ADJUSTMENT OF ALL HORIZONTAL SHOULDER SYSTEMS (continued)

6. See **Illustration F**. Adjust the height, angle and forward position of the holster and ammo carrier to the most comfortable and concealable fit for your body type. This process of adjusting the shoulder holster is critical to get the correct fit. A system that is set up in a hurried fashion results in a sloppy fit and compromised function. Many users find it easier to have another person adjust the shoulder system for them while they remain stationary.

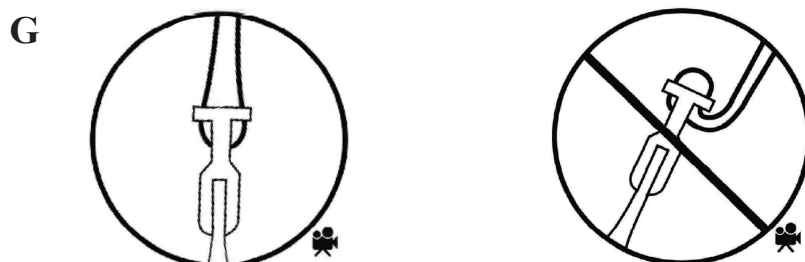


7. Once the harness is fitted correctly, remove shoulder system carefully so as not to alter adjustments.

8. See **Illustration G**. Thread the harness through the final loop on the swivel keeper.

⚠ CAUTION Ensure that the straps of the harness are threaded correctly through the swivel keeper for permanent harness adjustment. Failure to do so will break your swivel keeper.

CORRECT PERMANENT HARNESS ADJUSTMENT **WRONG THIS WILL BREAK YOUR SWIVEL KEEPER**



9. Put shoulder system back on and recheck all adjustments.

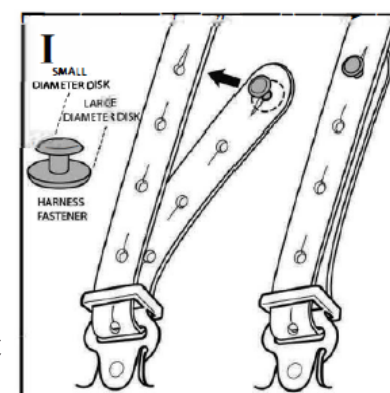
10. When you are absolutely certain of all adjustments you may trim off excess harness length. **Please consider two important things:**

- It often requires wearing the rig for several days before fine-tuning is complete.
- Before permanently shortening the harness, consider future use with seasonal clothing, body armor, weight fluctuations, etc.

HARNESS HARDWARE ❀

Galco harnesses feature an improved key-hole harness fastener system that replaces the earlier screw-and-post design. This results in greater security, ease of assembly, and a greatly reduced chance of fastener loss.

See **Illustration I**. Insert the Harness Fastener through a hole/slot on the tail end of the harness by pushing the small diameter disk through the back of the harness. The large disk is intended to be on the inside of the rear strap, against your body.



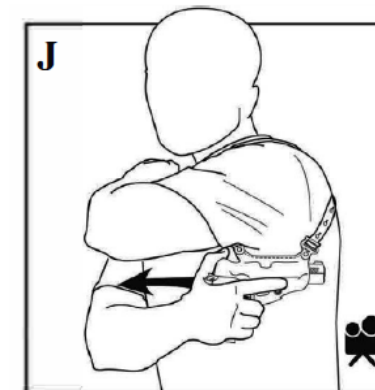
⚠ CAUTION The large disk of the harness fastener is not designed to be inserted through a hole/slot. The small disk is designed to be inserted from the rear of the inside harness strap and then through the rear of the front harness strap.



FASTENER USE

DRAWING & HOLSTERING

1. Raise the holster-side arm and bring your hand to the opposite shoulder.
2. At the same time, cross your shooting hand under your
3. crossed arm and push your thumb through the thumb break.
4. Grip the firearm with the shooting hand and draw straight out of the holster. (See **Illustration J**)



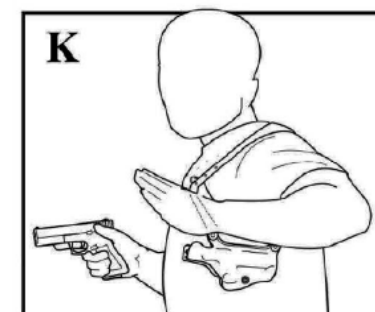
Once the firearm is pointed towards the target you may lower your elbow and grip the firearm with both hands using a proper shooting grip as taught by an accredited firearms safety and training course.

See training video at galcogunleather.com/videos

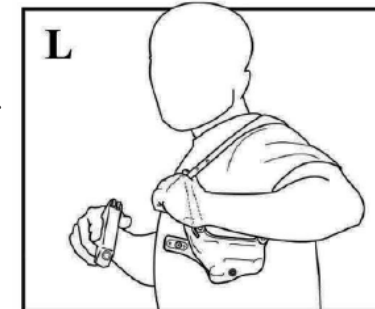
For safe carry, the pivoting hood must be used (lowered in place) until you are ready to remove the firearm from the holster.

⚠ WARNING The trigger should not be touched and your finger should not enter the trigger guard until you are ready to fire at your intended target.

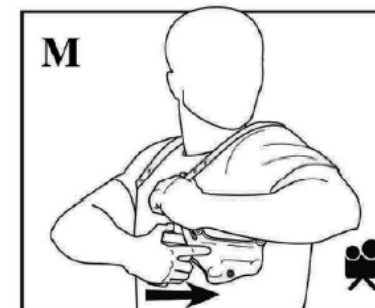
5. To holster the firearm, raise elbow of holster-side arm out from your body 90 degrees so firearm muzzle does not cover the arm. Hook your thumb under the strap to stabilize the holster. (See **Illustration K**)



6. With the thumb hooked under the strap, use the fingers of the holster-side hand to peel back the retention strap. (See **Illustration L**)



7. Holster your firearm and snap the retention strap closed. (See **Illustration M**)



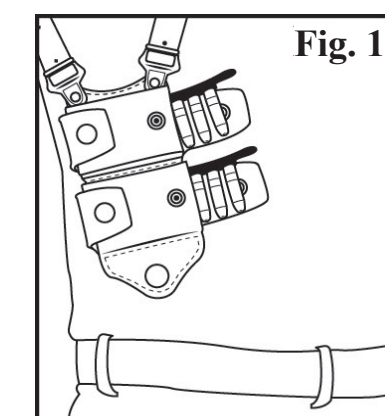
⚠ WARNING For safe carry, the retention strap must be used (snapped in place) until you are ready to remove the firearm from the holster.

MODULAR SYSTEM

Galco shoulder systems not only excel in comfort, concealment, and function, they also accommodate changes in the user's carrying routine. Individual holsters may be purchased to handle different handguns, or a second holster can be added to the same system to create a double rig. All harness styles, holsters, ammo carriers, tie-downs and optional accessories contribute to the flexible nature of the system.

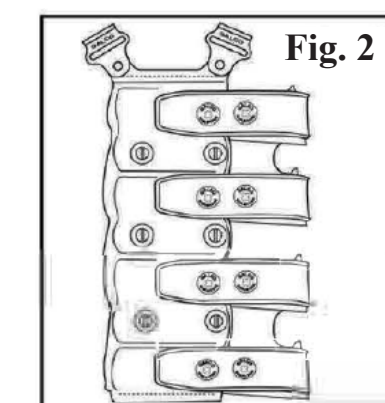
E-Z LOADER CARRIER

The E-Z Loader Carrier is an additional shoulder system ammo carrier option for rimmed revolver cartridges contained in our E-Z Loaders. It carries two E-Z Loaders horizontally and can be attached on either side of the wearer for ambidextrous access. (Fig. 1)



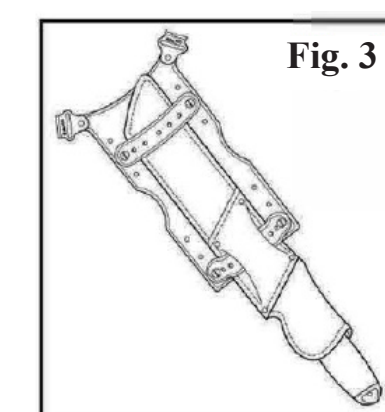
QUAD MAGAZINE CARRIER

The Quad Magazine Carrier was designed in response to requests from users in high-threat areas. It carries four magazines in horizontal orientation. Tension units and removable/ reversible straps secure the magazines. (Fig. 2)



SHUKA

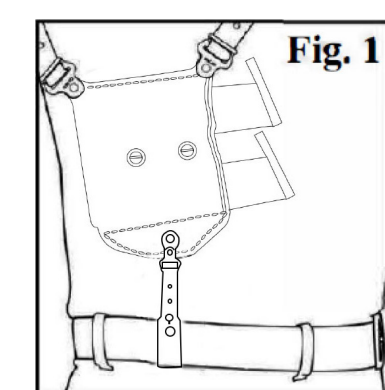
The SHUKA (Shoulder Holster Universal Knife Accessory) allows the user to carry a full-sized fighting knife. (Fig. 3)



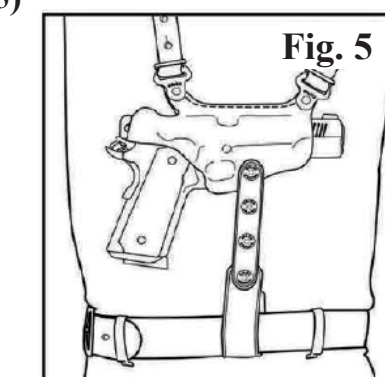
TIE-DOWNS

Tie-Downs are designed to anchor the shoulder system components to your belt. Tie-Downs are optional items and are used as a matter of personal preference. Tie-downs are available in finishes and colors to match your harness in models to work with each system component and come as a pair for both holster and ammo-side tie-downs.

Tie-downs to connect the ammo carrier to the belt. (Fig. 4)



Tie-downs connect the holster and/or ammo carrier to the belt. (Fig. 4 & 5)



Tie-down to connect the harness to the belt when ammo carrier is not used. (Fig. 6)

